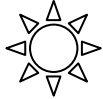
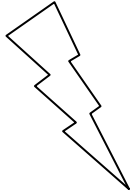





## Eleven Plus Maths Worksheet - Measures

<u>QUESTION</u>	
	1 Kg - 85g = a. 509g      b. 0.095Kg      c. 0.915Kg      d. 1.905Kg
<u>HINT</u>	
	1Kg - 85g = It is necessary to work in the same unit of measurement, which means you must change 1kg in to grams and then subtract. $\begin{array}{r} 1,000 \\ - \quad 85 \\ \hline \end{array}$
<u>ANSWER</u>	
	c